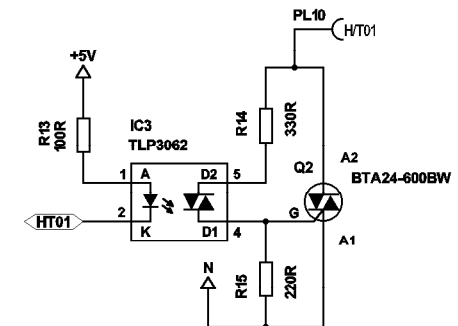
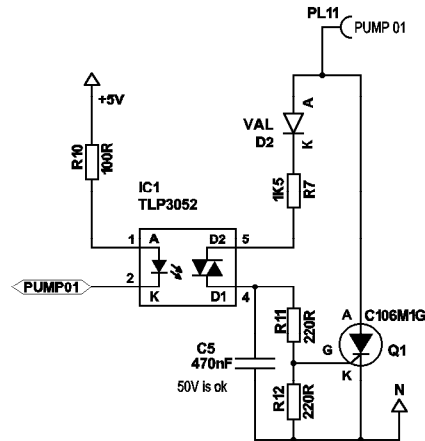
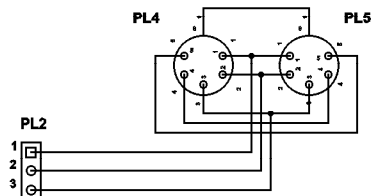
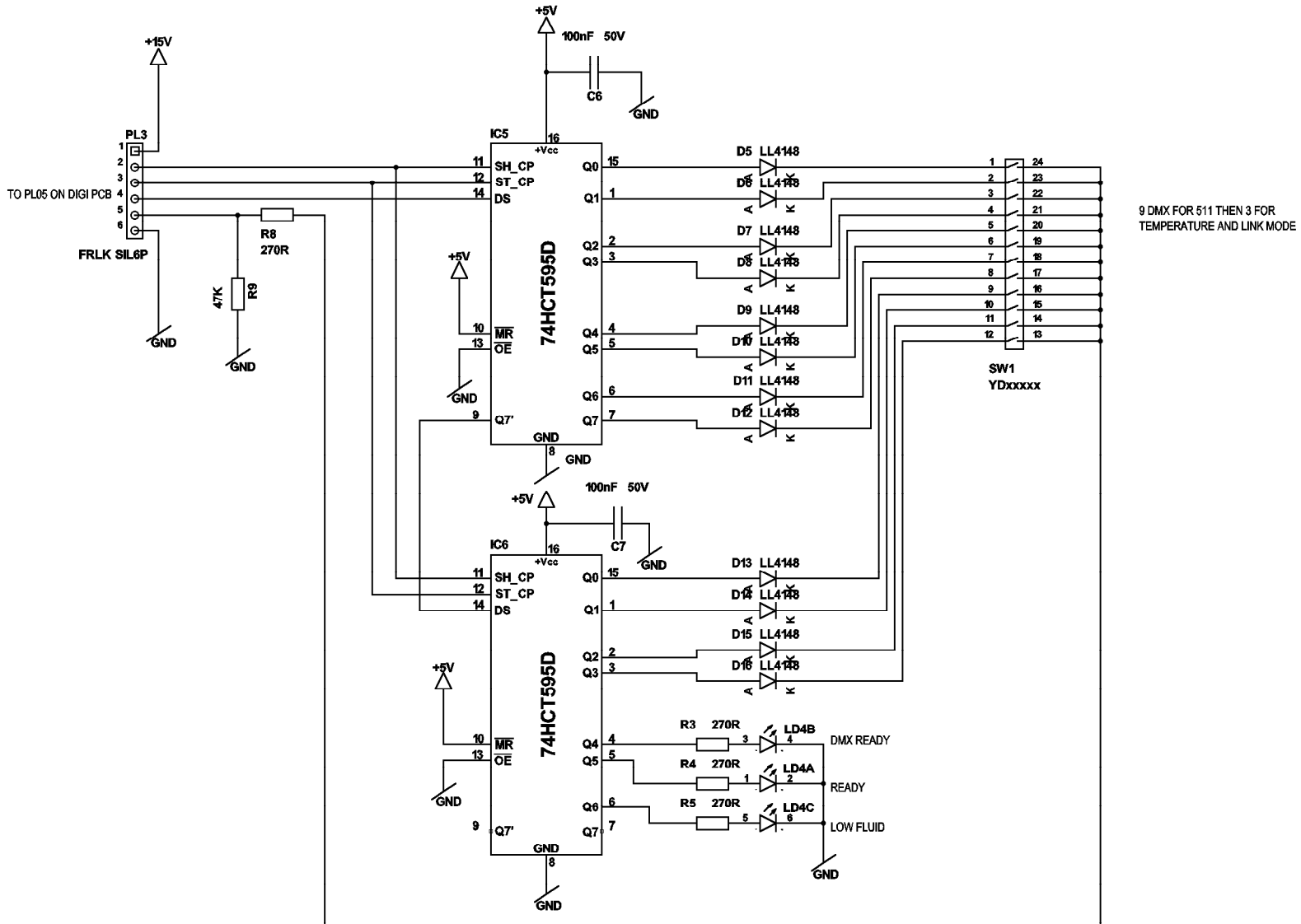


XRL5 Female +gnd XLR5_MALE



- Revision B includes:
- 1) Revised layout and track clearances
 - 2) Greater use of surface mount parts
 - 3) Heatsink moved to LH side

TITLE ZR44 POWER CONTROL		
MARTIN MANUFACTURING (UK) PLC	REVISION B	DRAWN BY N Scully
DRAWING # 01204032	PAGE 1 OF 2	DATE 17/03/2010



9 DMX FOR 511 THEN 3 FOR TEMPERATURE AND LINK MODE

TITLE ZR44 POWER CONTROL		
MARTIN MANUFACTURING (UK) PLC	REVISION B	DRAWN BY N Scully
DRAWING # 01204032	PAGE 2 OF 2	DATE 17/03/2010